

Please check the box below to proceed.

I'm not a robot



reCAPTCHA
[Privacy](#) - [Terms](#)

Diagram Circuit Icons Schematic Ebook

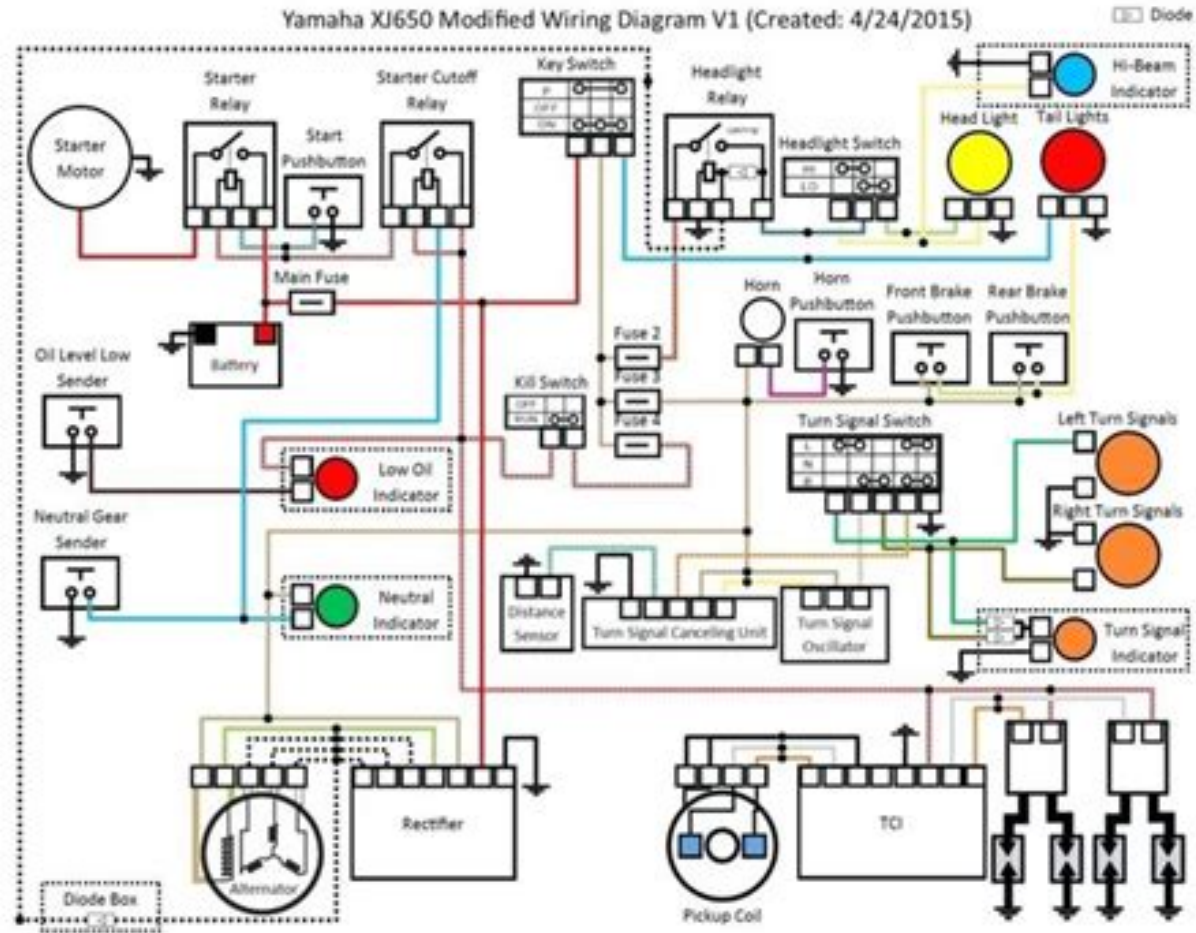


Table of Contents

Diagram Circuit Icons Schematic Ebook {Another fantastic aspect may be the contents are well digitized and diligently proofread by 1000s of volunteers around the world to make sure the standard and readability. Yet another detail to be described is you donâ€™t will need to sign up to download free of charge ebooks. Whatâ€™s additional, you can even study the the free books on the internet.

Why do we use it?

Diagram Circuit Icons Schematic Ebook Thanks for that listing of internet sites, I'm also just getting started with my own, but I am nevertheless filling the shelves with books @ ibookpiles.blogspot.com

Where does it come from?

Diagram Circuit Icons Schematic Ebook Marcus Samuelssonâ€™s most recent cookbook can greatest be described as an indelible feast of food, lifestyle and recordâ€™a unique celebration of contemporary Black cooking that seeks to recognize Black excellence all through the culinary globe.

Diagram Circuit Icons Schematic Ebook The ePUB file structure is short for 'Digital publication' and is particularly a typical e-book structure, designed by the Global Electronic Publishing Discussion board.

Begin a free 30-working day trial of Amazon Primary and begin examining currently! Now that you have lots of ebooks waiting around to get examine, you'll be wanting to develop your own ebook library during the cloud. Share Share Tweet E mail.

Even though reconstructing the days major up into the Ladyâ€™s disappearance, Tracy is introduced into an Energetic investigation with previous companion Kinsington Rowe. A young female has vanished on an isolated jogging path in North Seattle..

Â is the latest tour de drive from a powerhouse creator proving with this novel, sheâ€™s only starting out. Schwab has captivated visitors for the greater Component of the decade Using the smart and provocativeÂ Shades of Magic sequenceÂ and the Similarly iconicÂ Villains collection..

PDF Copyright ID : *e7v2c9rwopz65l4xs03f*

References:

[Diagram Circuit Icons Schematic Ebook](#)